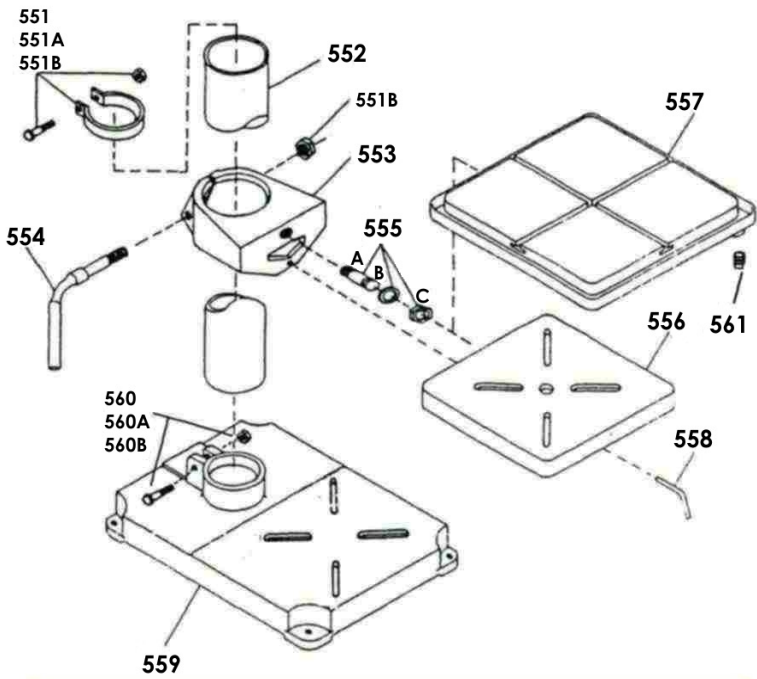


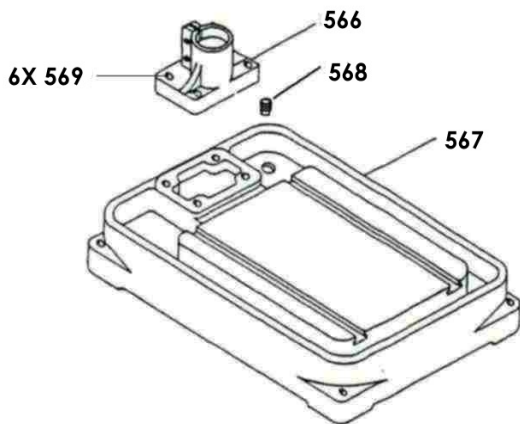
#15 Drill Parts Break Down After 1957

BENCH AND FLOOR DRILL ASSEMBLY #15



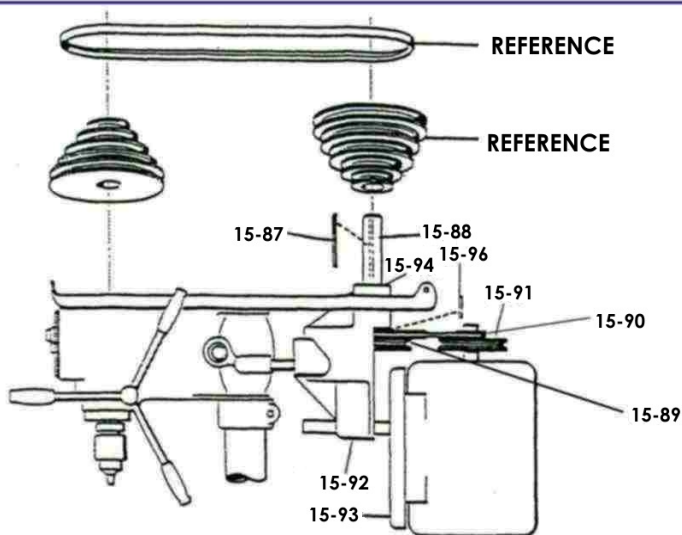
Bench and Floor Drill Assembly

Index	Part	Number	LOC
551	Safety Collar	252991	AA03D
551A	Hex Hd. Capscrew	301-05-483	FLOOR
551B	Hex Nut	301-42-071	FLOOR
552	Bench Column	300233	CL02A
	Floor Column	300270	CL02A
553	Table Fork	254046	DRK5C
554	Clamp Screw	303482-1	AA10C
555A	Stud	11168-1	AA07C
555B	Washer	11168-2	AA01A
555C	Nut	301-42-027	FLOOR
556	Std. Table	502874	DRK5E
557	Production Table	501089	DRK7C
558	Index Pin	300239	AA13A
559	Bench or Floor Base	600703	DRK7A
560	Hex Hd. Capscrew	301-05-511	FLOOR
560A	Lock Washer	301-87-040	FLOOR
560B	Hex Nut	301-42-073	FLOOR
561	Plug	249-33-155	AA13E



Production Bench Ass.

566	Adaptor	300273	DRKCB
567	Production Base	502348	DRK7B
568	Plug	249-33-155	AA13E
569	Hex Hd. Capscrew	301-05-504	FLOOR



Slow Speed Attachment

(For Models since 1962)

15-87	Key for Intermediate Shaft D0-320.1-9		B238A
15-88	Intermediate Shaft	4D-4787-1	AA15F
15-89	Intermediate Pulley	3D-2082-1	DRK5D
15-90	V- Belt	215-11-118	WALLS
15-91	Motor Pulley (1)	3D-2083-1	DRK5D
15-92	Support Bracket	7D-4830-1	E140B
15-93	Motor Bracket	4D-6208-2	DRK4D
15-94	Ball Bearing	204-11-389	AA16D
15-95	Thumb Screw	301-83-062	DRKET
15-96	Pulley Key	D0-320.1-29	FLOOR

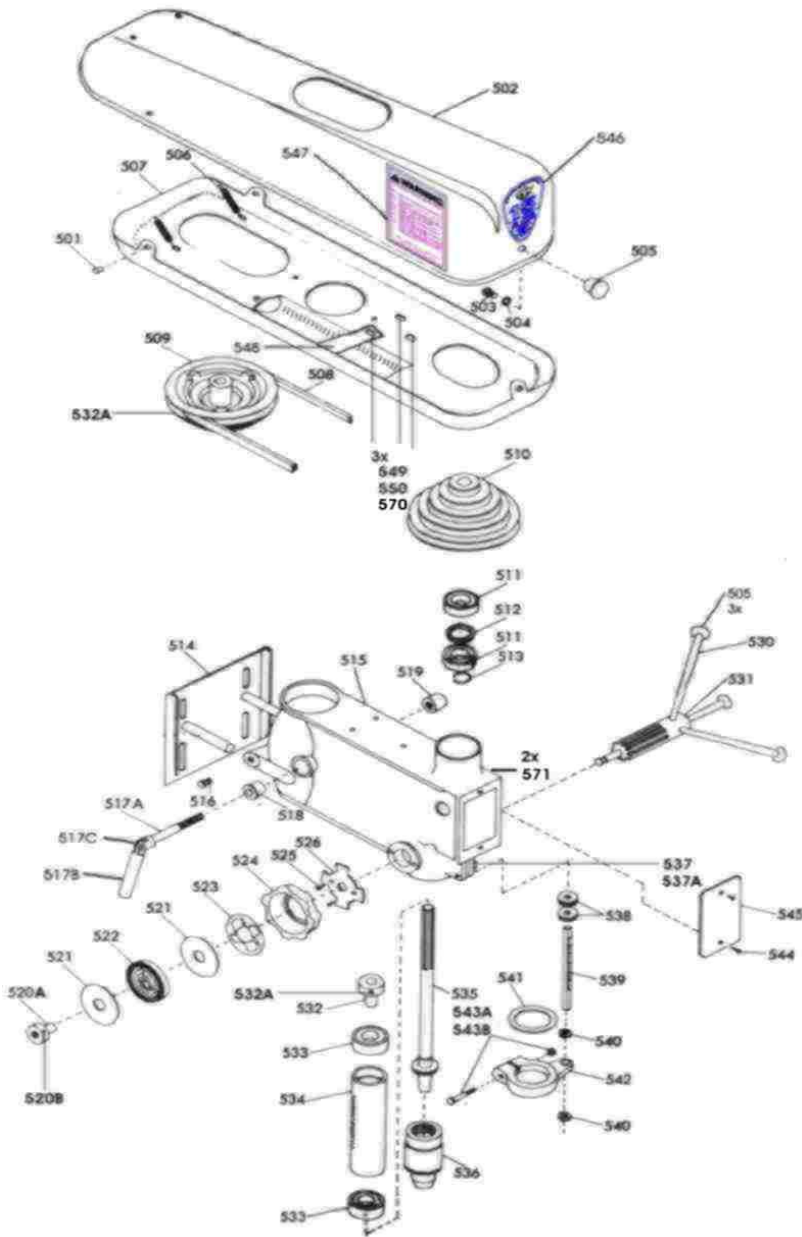
Guard for slow speed attachm 5D-5331-1
(Not Shown)

NOTE: Customer shall advise shaft size of motor in order to furnish correct Bore Motor Pulley.

Exclusive Rights and Ownership of Buffalo Machines, Inc, formerly known as Buffalo Forge Machine Tool Division
Any duplication, sale of this information without written permission by Owner, will constitute legal proceedings in accordance with the Copyright laws.

NOT FOR SALE OR DUPLICATION

HEAD ASSEMBLY #15



Index	Part	Number	Location
501	Hinge Pins	3D-3346-1	AA16E
502	Belt Guard-Upper	5D-3178-1	DRK9B
503	Rd Machine Screw	301-34-204	FLOOR
504	Lock Washer	301-89-038	FLOOR
505	Knob for Guard & Handles	300331	AA03A
506	Spring for Guards	3D-3351-1	AA08B
507	Belt Guard-Lower	5D-3179-1	DRK9A
508	V-Belt	215-11-142	WALLT
509	Motor Pulley-Specify Bore	401660	DRK2E
510	Spindle Pulley	401659	DRK2F
511	Bearing	204-11-401	AA10D
512	Bearing Spacer	11162-1	AA13B
513	Bearing Retainer Ring	301-56-183	AA15D
514	Motor Bracket Assembly	4D-4045-1	DRK4A
515	Head Frame	500589	DRKCA
516	Thumbscrew	301-83-050	DRKEU
517	Head Clamp Screw Assm.	303457-1	ASSM.
517A	Screw	303457-3	AA08E
517B	Handle	303456	AA08D
517C	Pin	301-54-173	FLOOR
518	Plain Sleeve	303434-1	AA07A
519	Tapped Sleeve	303434-2	AA06A
520A	Return Spring Collar	303428-1	AA11E
520B	Return Spring Collar	301-68-028	FLOOR
521	Return Spring Washers	300248-2	AA11F
522	Return Spring	11187-1	AA01B
523	Spring Disc	3D-3209-1	AA02B
524	Return Spring Retainer	4D-3210-1	AA01C
525	Flat Hd. Machine Screws	301-32-185	FLOOR
526	Return Spring Clutch Plate	303430	AA09E
530	Handles for Feed Pinion	3D-4662-1	AA12F
531	Feed Pinions	303499	AA03C
532	Spindle Brg. Adjusting Collar	300257	AA11D
532A	Setscrew	301-68-040	FLOOR
533	Bearing	204-11-386	AA10E
534	Feed Sleeve	303435	AA04B
535	#33 Jacobs Taper Spindle	214462-1	AA01D
536	#34-33C Jacobs Chuck & Key	271-21-023	A069A
537	Capscrew	301-06-074	FLOOR
537A	Soc Hd Knurled Setscrew	301-68-038	FLOOR
538	Adjusting Nuts	303513	AA13D
539	Depth Bar Stop	303531	AA08A
540	Jam Nuts	303521	AA13C
541	Rubber Washer	303494-1	AA06B
542	Depth Stop Collar	400943	AA12D
543A	Hex Hd. Nut	301-42-068	FLOOR
543B	Capscrew	301-05-417	FLOOR
544	Rd. Machine Screw	301-34-113	FLOOR
545	Push Button	as per order	FLOOR
546	#15 Decal	4D-6004-1	AA14A
547	Warning Decal	B5-4556-3	AA14B
548	Clip	3D-3461-1	AA12B
549	Shakeproof Washer	301-89-049	FLOOR
550	Flat Washer	301-86-077	FLOOR
570	Capscrew	301-05-407	FLOOR
572	Setscrew Knurled Pt.	301-68-088	FLOOR

Exclusive Rights and Ownership of Buffalo Machines, Inc, formerly known as Buffalo Forge Machine Tool Division
 Any duplication, sale of this information without written permission by Owner, will constitute legal proceedings in accordance
 with the CopyRight laws.

NOT FOR SALE OR DUPLICATION